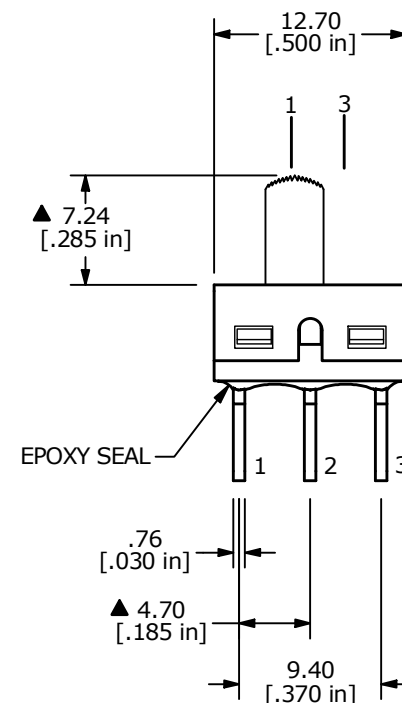
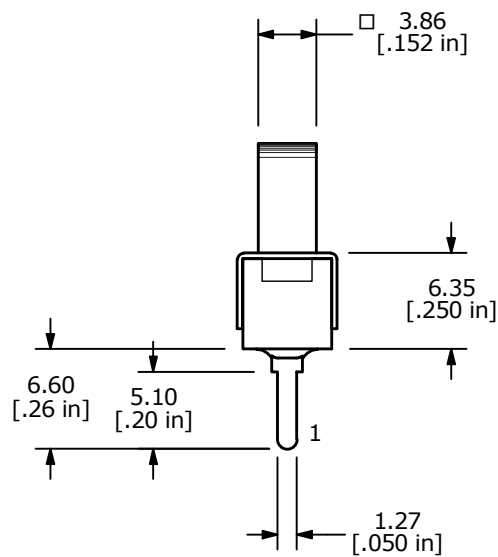
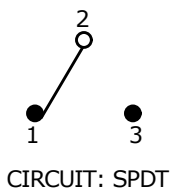


▲ SWITCH FUNCTION		
POS. 1	POS. 2	POS. 3
ON	NONE	ON
2-1	N/A	2-3



- NOTE:
- ALL DIMENSIONS IN MM [INCH]
 - GENERAL TOLERANCE: X.X = ±0.4
X.XX = ±0.25
 - TERMINAL NUMBERS FOR REF ONLY
 - ▲ PLATING MATERIAL: SILVER
 - RATING: 5A @120VAC or 28VDC
2A @ 250VAC
 - ELECTRIC LIFE: 30,000 MAKE AND BREAK CYCLES.
 - INSULATION RESISTANCE: 1,000 MEGA-OHM MIN.
 - DIELECTRIC STRENGTH: 1,000 V RMS @ SEA LEVEL
 - OPERATING TEMP.: -30°C to 85°C
 - ▲ DENOTES CRITICAL PARAMETER.



D	24418	updated and redrawn	8/4/20	MW
REV	PCR NO	DESCRIPTION	DATE	BY

TITLE 500SSP1S2M2QEA				
SCALE	DATE	DR	DWG	REV
2:1	2/16/2000	MW	T511028	D

THE INFORMATION CONTAINED IN THIS DOCUMENT IS PROPRIETARY TO E-SWITCH AND IS NOT TO BE COPIED OR TRANSFERRED